

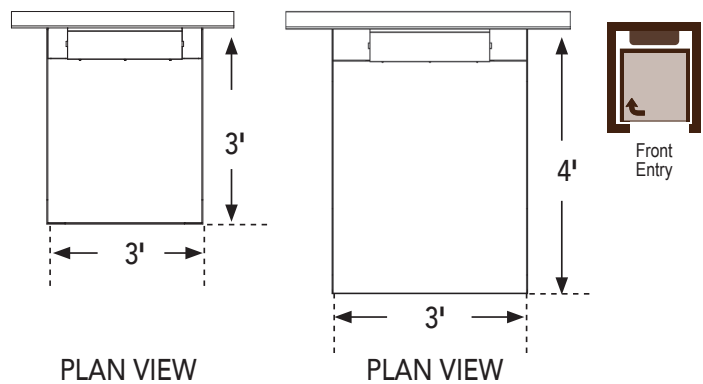
# FOOTPRINT OF SPACE REQUIREMENT

Dimensions shown are approximate space taken up by the elevator

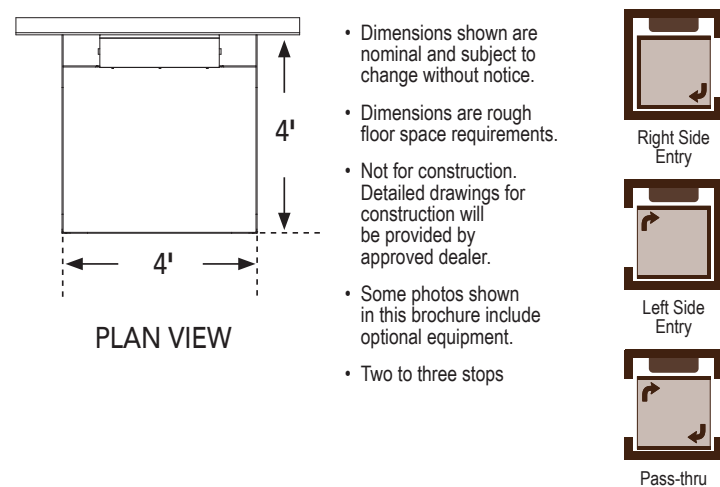
**MULTIPLE OPTIONS:**  
CHOOSE WHAT IS RIGHT FOR YOU!



## Residential Elevator – EZ3 & EZ4 FRONT ENTRY



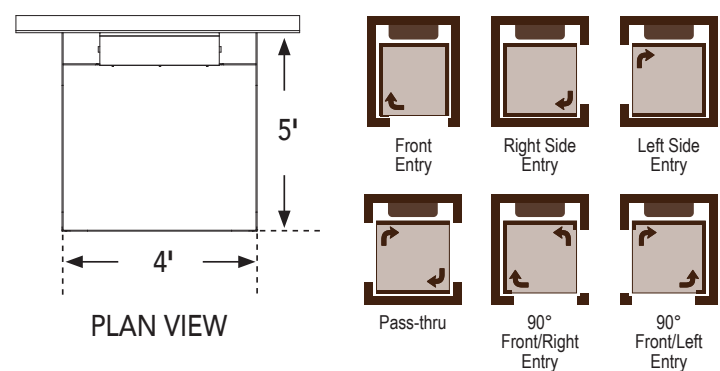
## Residential Elevator - EZ5 SIDE ENTRY/PASS THRU



- Dimensions shown are nominal and subject to change without notice.
- Dimensions are rough floor space requirements.
- Not for construction. Detailed drawings for construction will be provided by approved dealer.
- Some photos shown in this brochure include optional equipment.
- Two to three stops



## Residential Elevator - EZ6 ALL CONFIGURATIONS AVAILABLE



- Stay safely in your home - cost of elevator same as 90 days in nursing home and home value is increased.
- Only U.S. manufacturer of shaftless and battery-powered elevators
- Half the price of traditional elevators for existing homes.
- Installers available nationwide.
- Battery power allows use even when electricity goes out.



I LOVE HOW I CAN SEE WHERE I'M GOING,  
*and I can use my personal elevator*  
EVEN DURING A POWER OUTAGE.

EZ6 Shown

Staying Home Corp. • P.O. Box 37, Harrisonville, MO 64701  
2501 Anaconda Rd, Harrisonville, MO 64701  
info@stayinghome.com • www.stayinghome.com • (p) 877-378-4275 • (o) 816-380-2427



# Staying Home - RESIDENTIAL ELEVATOR EZ - SHAFTLESS

Through-the-floor lift without hoistway



**BATTERY POWERED**

EZ4 Shown

**2 & 3 STOPS AVAILABLE**

Can be installed in hoistway and provided with automatic controls.

The SHC elevator virtually eliminates concerns regarding power outages. The unit can run multiple trips (10+), in BOTH directions, on its own batteries.

## EZ3 EZ4 EZ5 - STANDARD EQUIPMENT INCLUDES:

### GENERAL:

- Travel to 14' on 2-stop units at 10-12 fpm
- Travel to 21' on 3-stop units (hoistway install only) at 15 fpm
- Maximum stops: 2 shaftless, 3 with hoistway enclosure
- Capacity: 400 lbs
- Extruded 6063 grade aluminum track
- Dual winding drum drive with 1/4" aircraft cables - 7,000 lb breaking strengths

### CAR:

- Finish: RAL 9002 powder coated with clear vision panels
- Configuration: Front entry, side entry or pass-thru
- Fold-down seat
- Sliding car door with clear vision panels

### CONTROLS:

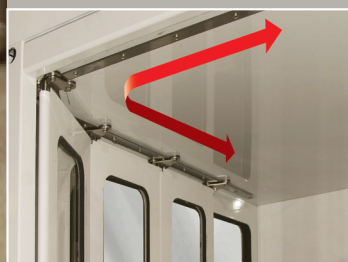
- Battery powered with charger
- Constant pressure controls on shaftless units
- Automatic controls on enclosed/hoistway units
- RF wireless call stations/Key Fob
- Diagnostic LED indicator

### SAFETY DEVICES:

- Limit switches at each stop
- Final limit at top
- Emergency stop and alarm
- Honeywell door interlock
- Hatch cover with sensors
- Safety pan on bottom of car
- Slack cable device
- Phone

**OPTIONAL COLORS AVAILABLE**

**3 YEAR WARRANTY  
TWO YEARS ON BATTERIES**



SLIDING DOOR



FOLD DOWN SEAT/TELEPHONE



EASY CONTROLS

# AUTOMATIC ELEVATOR EZ6 - Hoistway Enclosure Required

## STANDARD EQUIPMENT INCLUDES:

### GENERAL:

- Travel to 21' on 3-stop units at 15 fpm
- Capacity: 500 lbs
- Extruded 6063 grade aluminum track
- Dual winding drum drive with 1/4" aircraft cables - 7,000 lb breaking strengths
- Maximum stops: 3
- Installed in hoistway/enclosure

### CAR:

- Fold down car seat
- Finish: RAL 9002 powder coated with clear vision panels
- Automatic lighting system
- 36" wide car door opening\*
- Single entry or 90 degree entry configurations

### CONTROLS:

- Battery powered with charger
- Automatic operation
- RF wireless call stations
- Diagnostic indicator (LED)

### SAFETY DEVICES:

- Emergency stop and alarm
- Slack cable device
- Car door switch
- Honeywell door interlock
- Phone

\* Except on 90 degree car applications.

**Easy to retrofit into beach-front properties.**

**No pit or machine room required.**

**Makes carrying luggage and groceries easy and convenient.**



\* Easy Installation by Factory-Trained Technicians

\* Wheelchair Accessible Elevator

\* Safety Made Simple

\* Affordable Home Elevator Designed With You in Mind

## CLEAR VISION PANEL OPTION FOR CAR WALLS:



Solid car walls shown typical for hoistway installation.

**LARGE ENOUGH FOR A WHEELCHAIR**

**2 & 3 STOPS AVAILABLE**

Shown with SHC enclosure.



**ELEVATE YOUR LIFE**